

# Myriad™ Reveal

Automatic Electric Projection Screen Model

**DA-LITE**  
A brand of Legrand

**SUGGESTED SPECIFICATIONS:** \_\_\_\_\_ projection screen(s), \_\_\_\_\_(H) x \_\_\_\_\_(W), electrically operated 120 volt (60Hz) not more than 2.4 amp. Shall have specially designed motor mounted inside the roller, to be three wire with ground quick reversal type, oiled for life, with automatic thermal overload cut-out, integral gears, capacitor and an electric brake to prevent coasting. To have pre-set but adjustable limit switches to automatically stop picture surface in the "up" and "down" positions. Junction box shall be internally integrated into the housing. The junction box shall contain a quick connector that is mounted in the housing for easy plug-in connection to the motorized fabric and roller assembly. The fabric roller to be of rigid metal. Case to be a single-piece design made of extruded aluminum with a white, lightly textured powder coat finish. Bottom of case to have a removable access panel. Panel to be of extruded aluminum powder coated white. To be complete with integrated low voltage control unit and three position control switch and cover plate. Screen to be listed by Underwriters' Laboratories.

**Tensioned Models:** Screen fabric to be flame retardant and mildew resistant vinyl with black masking borders standard. Each side of the screen surface to have tab guide cable system to maintain even lateral tension and hold surface flat. Custom slat bar with added weight maintains vertical tension on the screen surface. The ends of the slat to be protected by heavy duty plastic caps enclosing a preset adjustable mechanism for screen tensioning.

**Non-Tensioned Models:** Screen fabric to be flame retardant and mildew resistant fiberglass with black masking borders standard. Bottom of fabric shall be formed into a pocket holding a metal rod. Heavy duty vinyl caps shall protect the ends of the rod.

**SightLine Models:** Roller designed to drop material from case on (4) 1.5mm galvanized aircraft cables. 16' (5m) maximum cable drop.



## PRODUCT NOTES

### All Models

- Overall case length dimensions +/- 1/4" (6mm).
- Detail dimensional drawings, wiring diagrams and installation instructions available upon request.
- Decora-style, three-button wall switch with motor limit adjustment and third party control connections on the back.
  - Dry Contact Interface
  - Projector Trigger (5-12V)
- All surfaces will be seamless in the image area.
- All viewing surfaces are standard with black backing except HD Progressive ReView 0.9 and Da-Tex.
- Specifications subject to change without notice.
- Custom formats and sizes available upon request.

### Tensioned Models with Standard Drop

- **All screens standard with 12" black drop at the top.** Extra drop may alter case dimensions. Contact Da-Lite for details.

### Non-Tensioned Models with Standard Drop

- **All screens standard with 2" black drop at the top.**
- **Matte White:** Horizontal seam required when both dimensions exceed 10'.
- **High Contrast Matte White:** Available in sizes where both dimensions do not exceed 8'. Only available in the 193" diagonal HDTV format standard size.

### SightLine Models (Tensioned and Non-Tensioned)

- **All screens standard with 16' (5m) of fully adjustable cable drop. Drop to be set to 24" at the factory and adjusted to desired distance during installation.**
- HD Progressive ReView 0.9 and Da-Tex rear projection surfaces will include an additional 22" of black at the top.

## WHEN ORDERING, MARK APPROPRIATE SELECTIONS

1. Select size from charts.
2. Select viewing surface (Da-Lite surfaces are GREENGUARD and GREENGUARD GOLD Certified):

### Tensioned

Parallax Stratos 1.0  
HD Progressive 0.6  
HD Progressive 0.9  
HD Progressive 1.1  
HD Progressive 1.1 Contrast  
HD Progressive 1.3  
HD Progressive ReView 0.9\*  
Da-Mat  
Da-Tex\*

*\*Rear projection*

### Non-Tensioned

Matte White  
High Contrast Matte White  
(see product notes for availability)

3. Options:

SightLine Cable Drop  
Black Case

220 Volt (50 Hz) Motor

4. Optional Accessories:

Screen Controller (TCP/IP, RS232,  
Dry Contact, and VPI/Trigger)  
Radio Frequency (BLE) Remote  
Infrared Remote  
PoE Injector

Key Locking Cover Plate for LVC  
Switch

**Tensioned Models - Standard Drop**

HDTV (16:9) Format Dimensions

Viewing Area (H x W)		Nominal Diagonal		Overall Length of Case		Approx. Hang. Wt.		Approx. Ship. Wt.	
In.	Cm	In.	Cm	In.	Cm	Lbs.	Kg	Lbs.	Kg
94.5" x 168"	240 x 427	193"	490	195"	495	154	69.7	400	181.4
99" x 176"	251 x 447	202"	513	203¾"	518	161	72.8	418	189.6
108" x 192"	274 x 488	220"	559	220½"	560	173	78.6	451	204.6

Wide (16:10) Format Dimensions

Viewing Area (H x W)		Nominal Diagonal		Overall Length of Case		Approx. Hang. Wt.		Approx. Ship. Wt.	
In.	Cm	In.	Cm	In.	Cm	Lbs.	Kg	Lbs.	Kg
105" x 168"	267 x 427	198"	503	196"	498	154	70.0	402	182.3
110" x 176"	279 x 447	208"	528	205"	521	161	73.2	420	190.5
120" x 192"	305 x 488	226"	574	221¼"	562	174	78.7	452	205.0

**Non-Tensioned Models - Standard Drop**

HDTV (16:9) Format Dimensions

Viewing Area (H x W)		Nominal Diagonal		Overall Length of Case		Approx. Hang. Wt.		Approx. Ship. Wt.	
In.	Cm	In.	Cm	In.	Cm	Lbs.	Kg	Lbs.	Kg
94.5" x 168"	240 x 427	193"	490	186½"	474	147	66.9	384	174.2
99" x 176"	251 x 447	202"	513	194½"	494	153	69.5	399	181.0
108" x 192"	274 x 488	220"	559	210½"	535	166	75.1	431	195.5

Wide (16:10) Format Dimensions

Viewing Area (H x W)		Nominal Diagonal		Overall Length of Case		Approx. Hang. Wt.		Approx. Ship. Wt.	
In.	Cm	In.	Cm	In.	Cm	Lbs.	Kg	Lbs.	Kg
105" x 168"	267 x 427	198"	503	186½"	474	147	66.9	384	174.2
110" x 176"	279 x 447	208"	528	194½"	494	153	69.5	399	181.0
120" x 192"	305 x 488	226"	574	210½"	535	166	75.1	431	195.5

**Tensioned Models - SightLine Cable Drop**

HDTV (16:9) Format Dimensions

Viewing Area (H x W)		Nominal Diagonal		Overall Length of Case - Front Projection		Overall Length of Case - Rear Projection		Approx. Hang. Wt.		Approx. Ship. Wt.	
In.	Cm	In.	Cm	In.	Cm	In.	Cm	Lbs.	Kg	Lbs.	Kg
94.5" x 168"	240 x 427	193"	490	198¾"	505	198¾"	505	187	85.0	488	221.4
99" x 176"	251 x 447	202"	513	212½"	540	212½"	540	200	90.7	521	236.3
108" x 192"	274 x 488	220"	559	221¼"	562	223¼"	567	201	91.2	542	245.8

Wide (16:10) Format Dimensions

Viewing Area (H x W)		Nominal Diagonal		Overall Length of Case - Front Projection		Overall Length of Case - Rear Projection		Approx. Hang. Wt.		Approx. Ship. Wt.	
In.	Cm	In.	Cm	In.	Cm	In.	Cm	Lbs.	Kg	Lbs.	Kg
105" x 168"	267 x 427	198"	503	198¾"	505	198¾"	505	191	86.7	498	225.9
110" x 176"	279 x 447	208"	528	212½"	540	212½"	540	204	92.5	531	240.9
120" x 192"	305 x 488	226"	574	221¼"	562	223¼"	567	212	96.1	552	250.4

**Non-Tensioned Models - SightLine Cable Drop**

HDTV (16:9) Format Dimensions

Viewing Area (H x W)		Nominal Diagonal		Overall Length of Case		Approx. Hang. Wt.		Approx. Ship. Wt.	
In.	Cm	In.	Cm	In.	Cm	Lbs.	Kg	Lbs.	Kg
94.5" x 168"	240 x 427	193"	490	189¾"	482	183	82.9	476	215.9
99" x 176"	251 x 447	202"	513	197¾"	502	190	86.2	495	224.5
108" x 192"	274 x 488	220"	559	213¾"	543	205	92.8	533	241.8

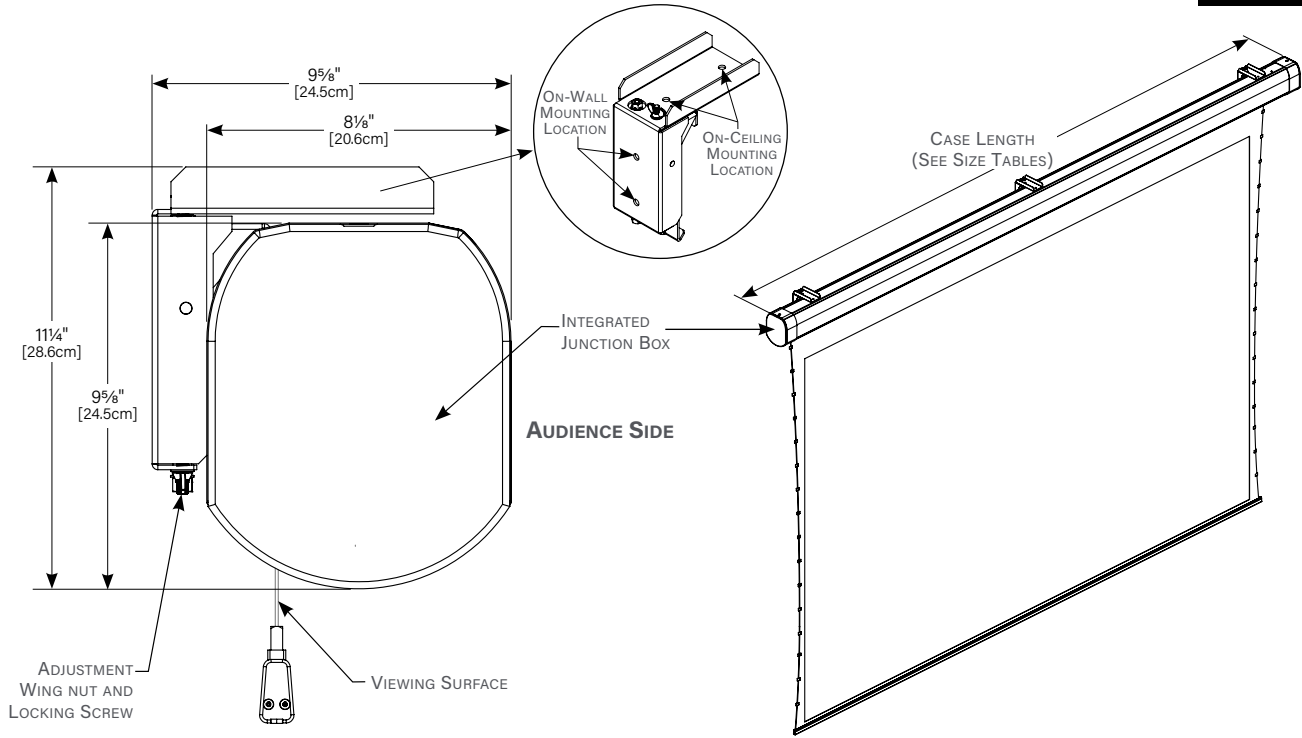
Wide (16:10) Format Dimensions

Viewing Area (H x W)		Nominal Diagonal		Overall Length of Case		Approx. Hang. Wt.		Approx. Ship. Wt.	
In.	Cm	In.	Cm	In.	Cm	Lbs.	Kg	Lbs.	Kg
105" x 168"	267 x 427	198"	503	189¾"	482	183	82.9	476	215.9
110" x 176"	279 x 447	208"	528	197¾"	502	190	86.2	495	224.5
120" x 192"	305 x 488	226"	574	213¾"	543	201	91.2	533	241.8

# PRODUCT VIEWS

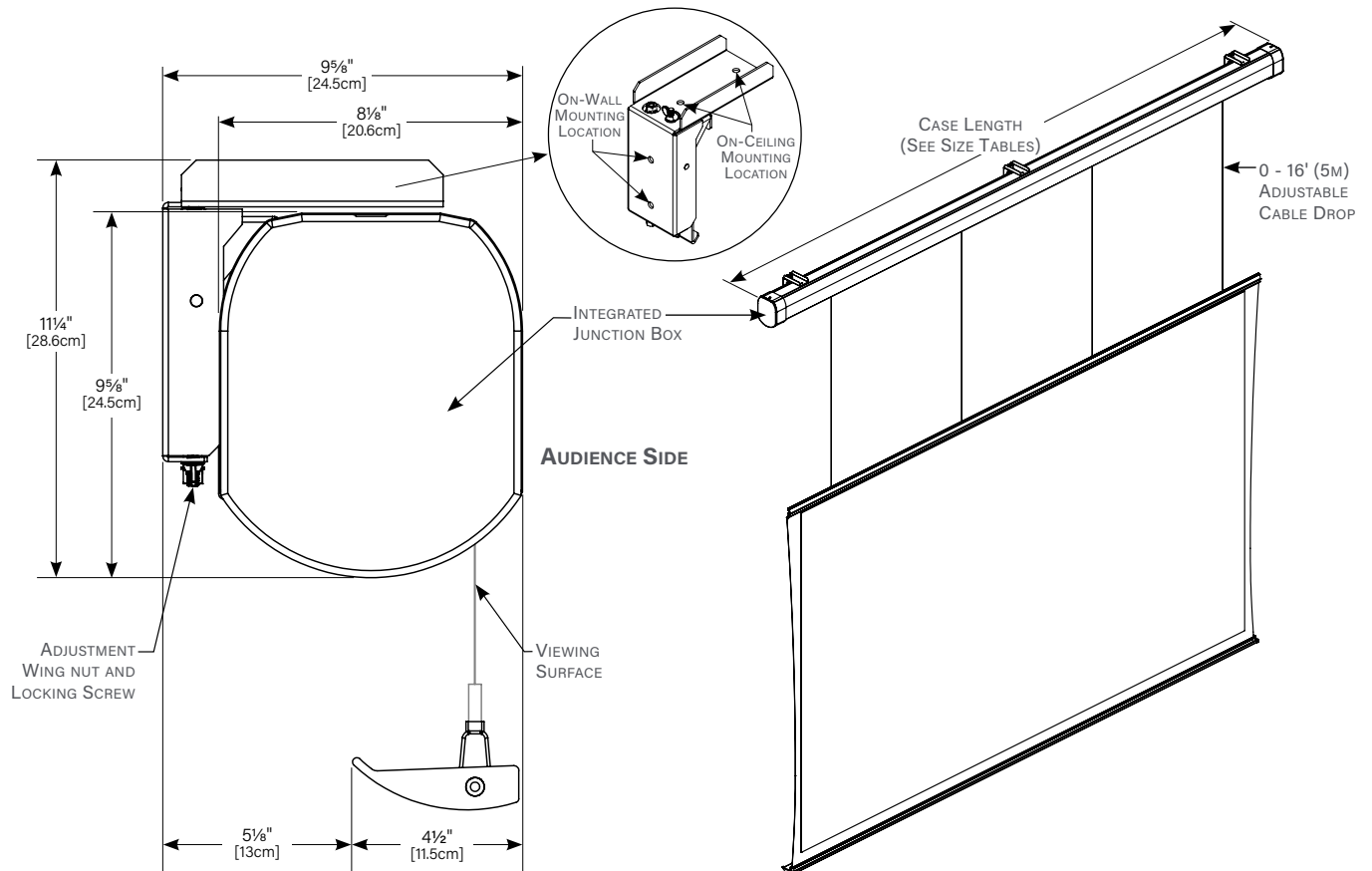
## Standard Drop

Tensioned model pictured. Matte White and High Contrast Matte White non-tensioned surfaces will not have tabs or parabolic side borders.



## SightLine Cable Drop

Tensioned model pictured. Matte White and High Contrast Matte White non-tensioned surfaces will not have tabs or parabolic side borders.



Project Name: _____
Architect: _____
Contractor: _____ Phone: _____
Reseller: _____ Phone: _____