

## Contractor 4x4 HDBaseT™ CSC Matrix Kit

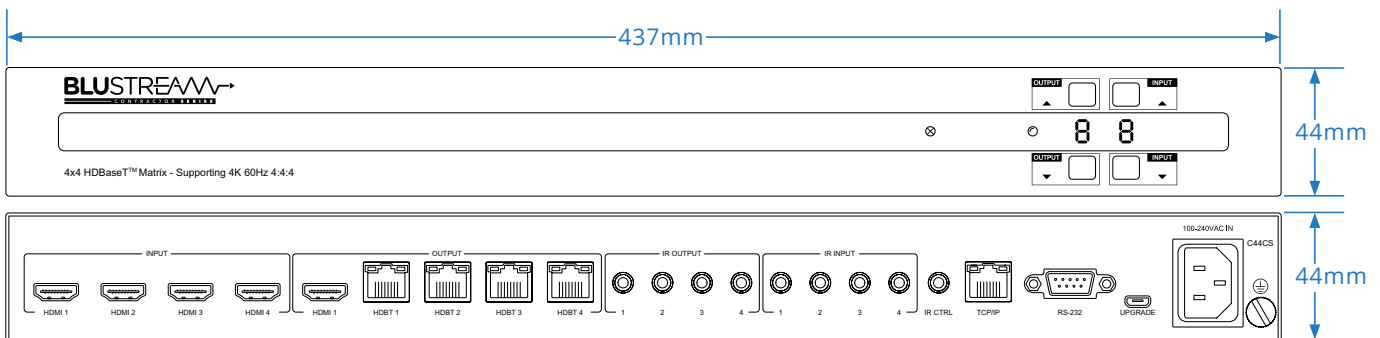
### Description

Our Contractor 4x4 HDBaseT™ matrix offers unprecedented performance and value for the custom installation market.

The C44CS-KIT is a HDMI 2.0 4K 60Hz 4:4:4 HDCP 2.2 Matrix utilising CSC technology to deliver HDMI, bi-directional IR, and PoC up to lengths of 70m over a single CAT cable.

The matrix also provides advanced features including simultaneous HDBaseT™ / HDMI on output 1, video down conversion on HDBaseT™ outputs and a web browser interface module for control and configuration of the matrix.

The C44CS-KIT is supplied with 4 x RX70CSL receivers.



### Key Features

- Advanced HDBaseT™ technology offering distribution of video and audio over a single CAT cable
- Advanced Colour Space Conversion (CSC) supports HDMI 2.0 18Gbps specification including HDR
- Features 4 x HDMI inputs which can be independently routed to 4 x HDBaseT™ outputs
- Output 1 features simultaneous HDMI and HDBaseT™ output
- Video down-conversion on HDBaseT™ outputs allowing a display only capable of supporting lower video resolutions (4K 60Hz 4:2:0 or 1080p) to receive 4K 60Hz 4:4:4 video content while still showing maximum original 4K UHD resolution on remaining video outputs
- Supports 4K 60Hz 4:4:4 UHD video up to 40m
- Extends HDMI 1080p video up to 70m
- Supports all industry standard video resolutions including VGA-WUXGA and 480i-4K
- Supports all known HDMI audio formats including Dolby TrueHD, Dolby Atmos, Dolby Digital Plus and DTS-HD
- Master Audio transmission
- Web interface module for control and configuration of matrix
- Supports bi-directional IR on all HDBaseT™ outputs
- Control via front panel, iOS / Android App, IR, RS-232 or TCP/IP
- Supports 12V PoC (Power over Cable) to power supplied HDBaseT™ receivers
- Supplied with Blustream IR receivers and emitters
- 3rd party drivers available for all major control brands
- 1U design for 19" rack mount integration - mounting kit

Blustream cannot be held responsible for errors in typography or photography. Specifications are subject to change without notice.



## Specifications - C44CS Matrix

- Video Input Connectors: 4 x HDMI Type A, 19-pin, female
- Video Output Connectors: 1 x HDMI Type A, 19-pin, female, 4 x HDBaseT™ RJ45 connectors
- HDBT Power Output: 12V DC 0.8A per port
- TCP/IP Control: 1 x RJ45, female
- RS-232 Serial Ports: 1 x DB-9, female
- IR Input Ports: 5 x 3.5mm stereo jack
- IR Output Ports: 4 x 3.5mm mono jack
- Rack Mountable: 1U rack height, rack ears included
- Casing Dimensions (W x H x D): 437mm x 44mm x 300mm (without feet)

## Specifications - C44CS-KIT

- Power Supply: Internal 100-240V AC
- Shipping Weight: 6.0kg
- Operating Temperature: 23°F to 122°F (-5°C to +50°C)
- Storage Temperature: -13°F to 158°F (-25°C to +70°C)

## Specifications - RX70CSL Receiver

- Video Input Connectors: 1 x HDBaseT™ RJ45 connectors
- Video Output Connectors: 1 x HDMI Type A
- IR Input Ports: 1 x 3.5mm stereo jack
- IR Output Ports: 1 x 3.5mm mono jack
- Casing Dimensions (W x H x D): 120mm x 24mm x 85mm
- Mounting Kit: Included

## Included Accessories

Receivers	4 x RX70CSL
Mounts	4 x Mounting Kits for RX70CSL 1 x Rack Mounting Kit 4 x Mounting Feet
Controller	1 x Remote Control
Cables	4 x IR Emitters 5 x IR Receivers 1 x Serial Cable - DB9 to DB9 1 x IR Control Cable IEC Power Cable(s)

## Regulatory Compliance



Blustream cannot be held responsible for errors in typography or photography. Specifications are subject to change without notice.