

BEE-Hook

Flying Hook

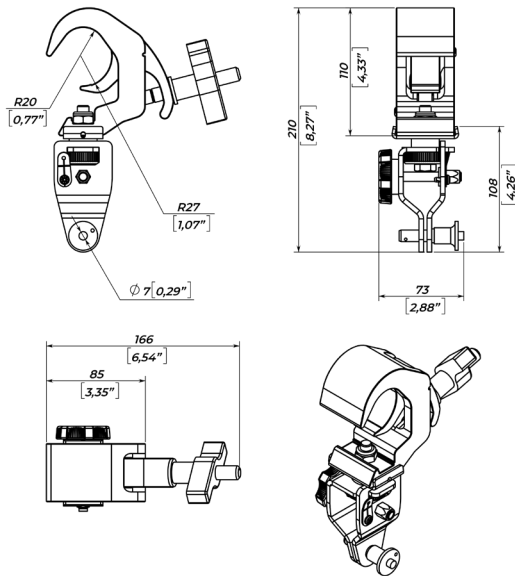


BEE-Hook is a Flying Hook for BEE 12 or BEE 15 speakers.

ACCESSORIES



DIMENSIONS



SPECIFICATIONS

Functions	Flying hook
Compatibility	BEE 12, BEE 15
Load limit	45 kg / 99,21 lbs
Mount tube	D 40 - 54 mm
Color	Black
Dimensions	210 x 166 x 73 mm / 8,27" x 6,54" x 2,88"
Weight	1,07 kg / 2,36 lbs

SAFETY INSTRUCTIONS

1. Entrust mounting equipment to the experienced professionals following current safety instructions. Improperly installed equipment can result in property damage, personal injury and/or liability to the installing contractor.
2. Always use safety cables to prevent equipment from falling during setup or while exploitation.
3. Carefully check the mounting surface of the wall. Make sure wall material can hold the weight of the speaker with the mounting added.
4. Make sure to securely fix all the mounting bolts. Loose bolts may become unscrewed with time due to vibration and create safety hazard.

BEE-Hook for BEE 12 BEE-Hook for BEE 15



DATASHEET