

# CUE-WRM

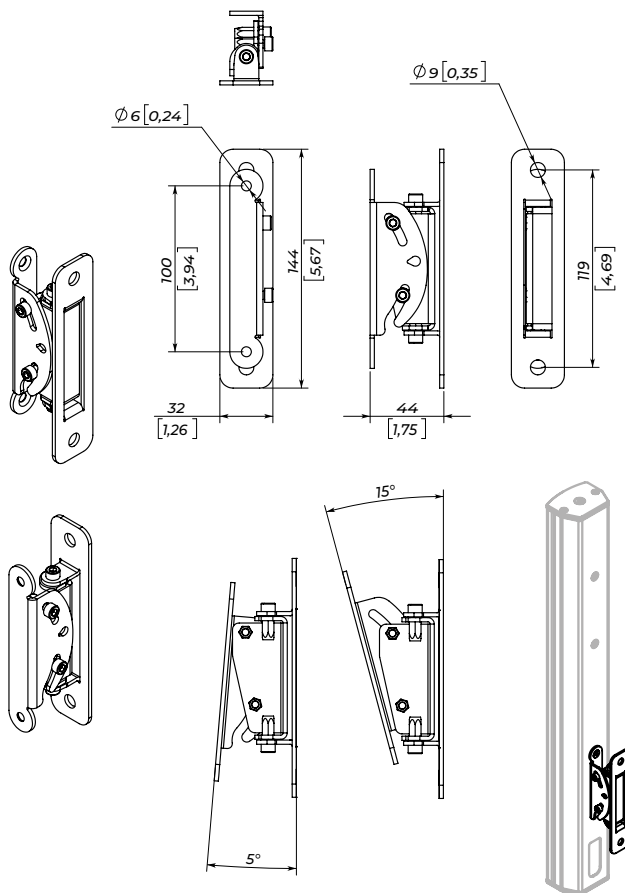
Wall arm  
bracket



CUE-WRM is a wall arm bracket for the CUE series speaker.



## DIMENSIONS



## SPECIFICATIONS

Functions	wall arm bracket
Compatibility	CUE S, CUE M, CUE L
Load limit	20 kg / 44 lbs
Tilt angle	from $-5^\circ$ to $+15^\circ$
Dimensions	32 x 44 x 144 mm / 1.26" x 1.75" x 5.67"
Weight	0.24 kg / 0,53 lbs

## SAFETY INSTRUCTIONS

1. Entrust mounting equipment to the experienced professionals following current safety instructions. Improperly installed equipment can result in property damage, personal injury and/or liability to the installing contractor.
2. Always use safety cables to prevent equipment from falling during setup or while exploitation.
3. Carefully check the mounting surface of the wall. Make sure wall material can hold the weight of the speaker with the mounting added.
4. Make sure to securely fix all the mounting bolts. Loose bolts may become unscrewed with time due to vibration and create safety hazard.